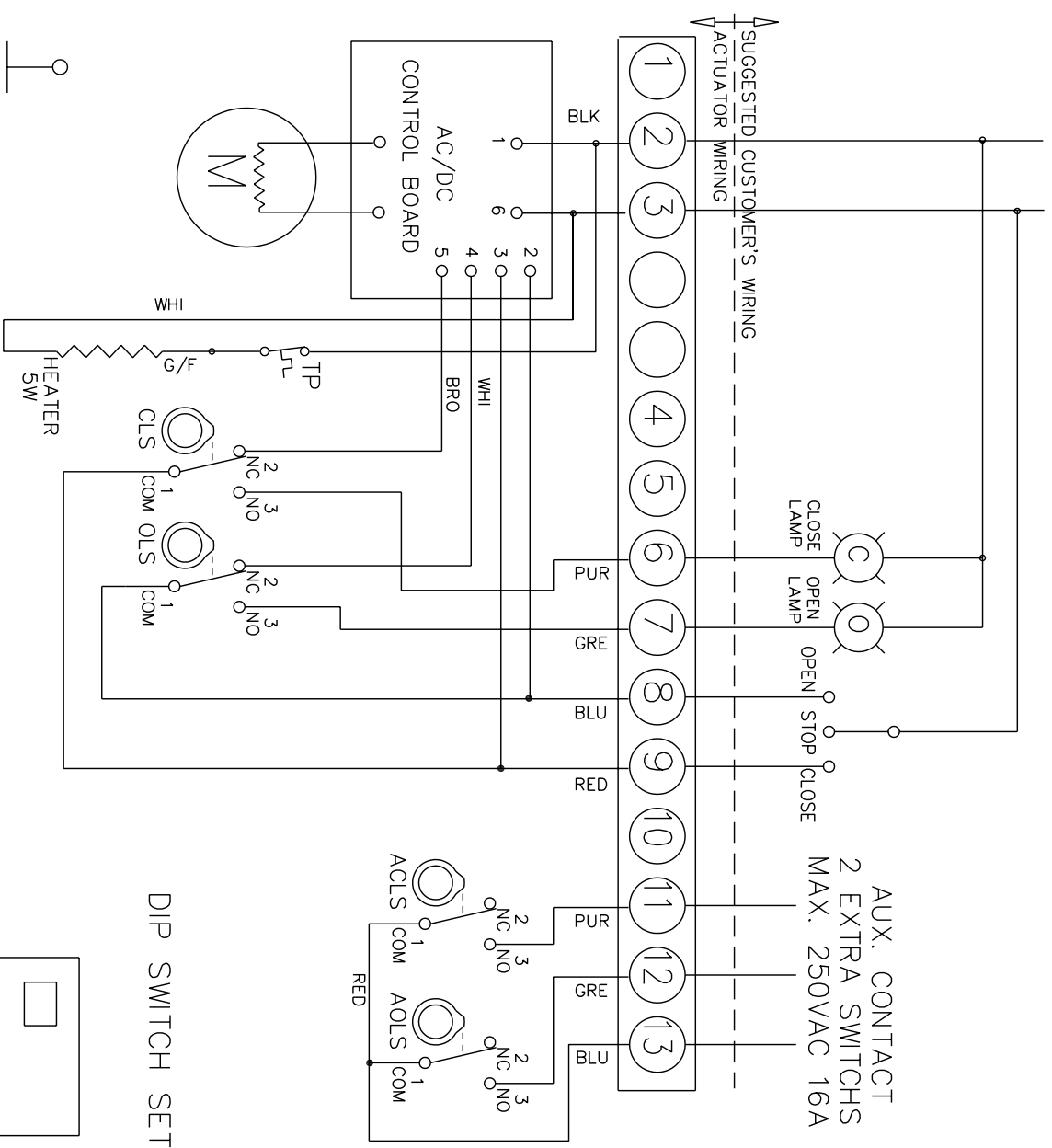
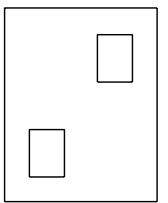


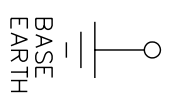
DC (24 V)
+
-



DIP SWITCH SETTING



1 2



BASE
EARTH

TORQUE AND LIMIT SWITCH OPERATION

SWITCH	CLOSE	INTERMEDIATE	OPEN
CLS 1-2			
CLS 1-3			
OLS 1-2			
OLS 1-3			
ACLS1-2			
ACLS1-3			
AOLS1-2			
AOLS1-3			

SYMBOL	DESCRIPTION	RATING
CLS	CLOSE LIMIT SWITCH	250VAC 10A
OLS	OPEN LIMIT SWITCH	250VAC 10A
ACLS	AUX. CLOSE LIMIT SWITCH	250VAC 16A
AOLS	AUX. OPEN LIMIT SWITCH	250VAC 16A
TP	THERMAL PROTECTOR	250VAC 15A

*EACH ACTUATOR SHOULD BE POWERED THROUGH IT'S OWN INDIVIDUAL SWITCH OR RELAY CONTACTS TO PREVENT CROSS FEED BETWEEN TWO OR MORE ACTUATORS.

PART NAME	DC WIRING DIAGRAM STANDARD
DWG. NO	HQ-8420-A
DATE	2006.06.02
ISSUE REF.	A

HQ-008	ACTUATED SOLUTIONS LTD
APPLICATION	TEL: (01243) 827469 FAX: (01243) 829418