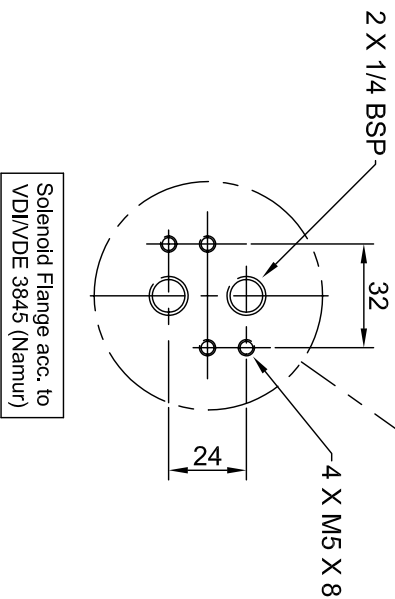
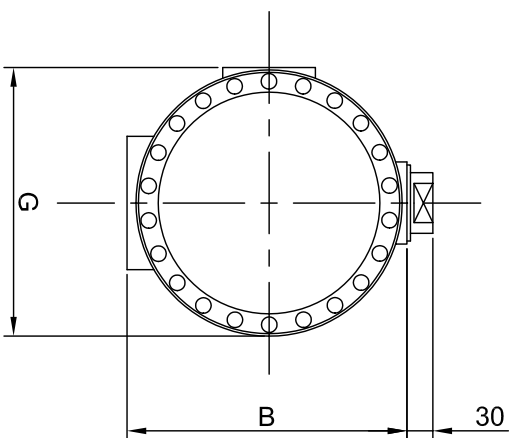
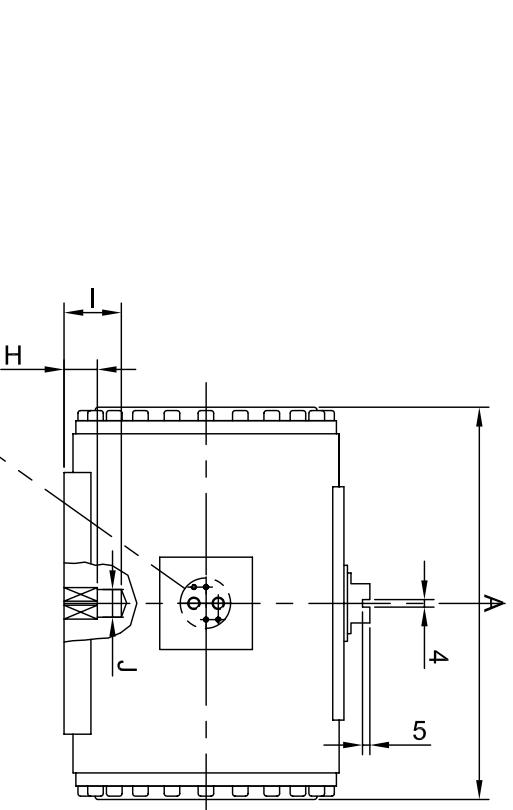


Mounting Flange & Square Drive to ISO5211



MD/ MS	250	360	500	750
A	362	428	543	570
B	310	373	419	505
C	140	165	165	254
D	36	36	55	55
E	48.2	48.2	72.2	72.2
F	M16/24	M20/30	M20/30	M16/24
G	305	366	415	466
H	51	39	79	79
I	55	57	127	127
J	40	40	60	60

DIMENSION CHART MD/MS-250 - 750 CARBON STEEL