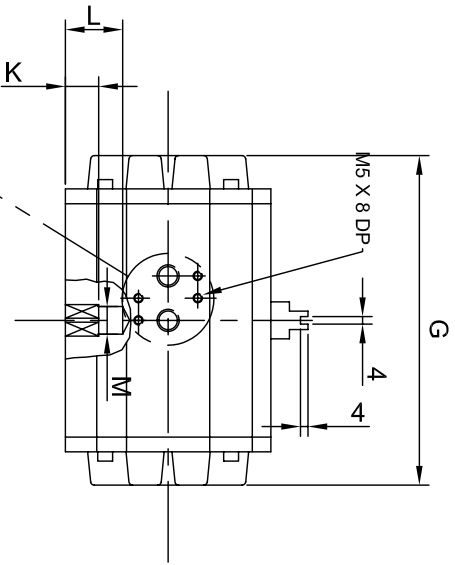
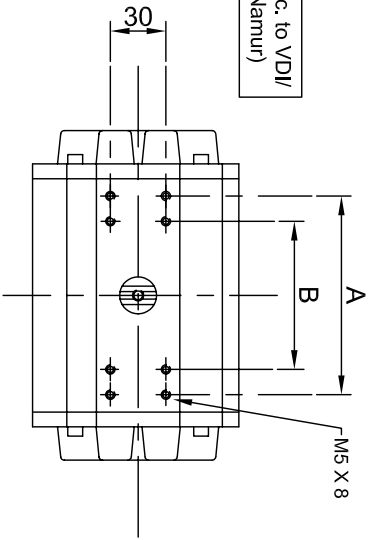
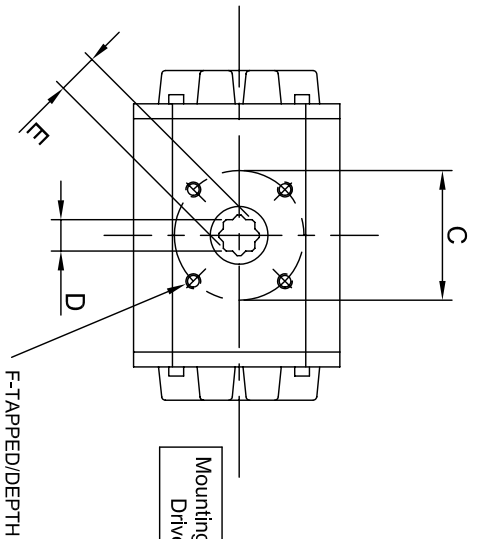
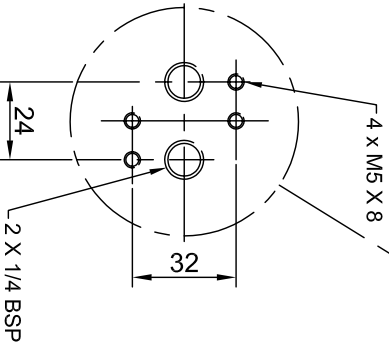


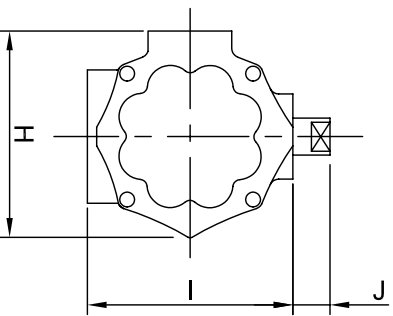
Top Flange acc. to VDI/  
VDE 3845 (Namur)



Solenoid Flange acc. to  
VDI/VDE 3845 (Namur)



Mounting Flange & Square  
Drive to ISO5211



MD/ MS	012	030	060	140
A	-	-	130	130
B	80	80	80	80
C	70	70	102	125
D	17	22	27	36
E	22.2	28.2	36.2	48.2
F	M8/12	M8/12	M10/15M12/18	
G	215	254	323	342
H	132	167	195	232
I	131	169	200	242
J	20	20	30	30
K	23	27	31	41
L	33	45	47	55
M	16	21	35	35