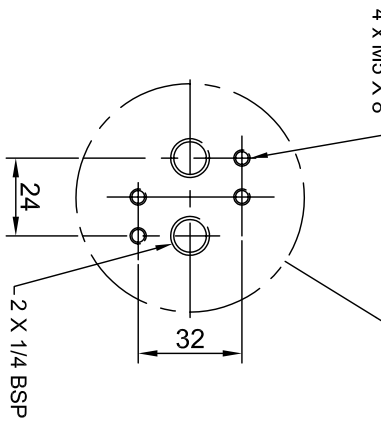
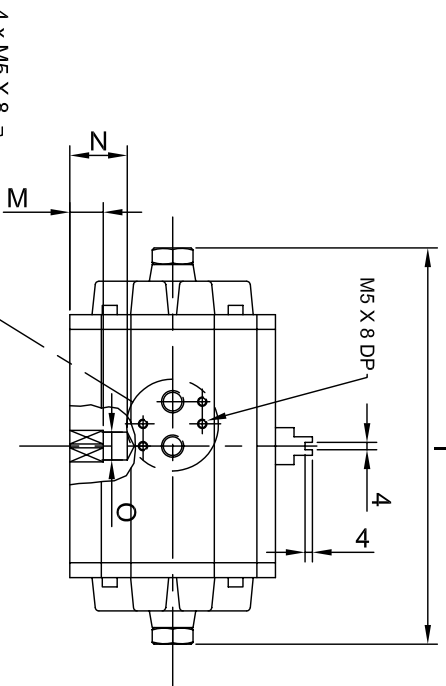
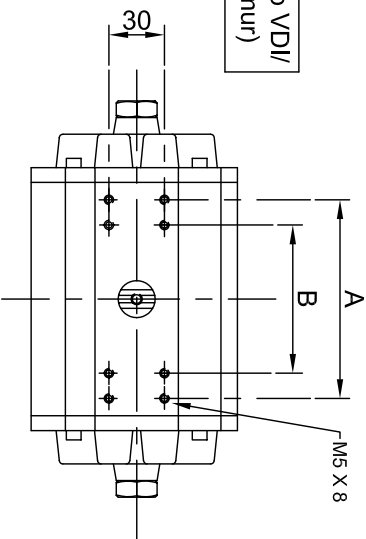
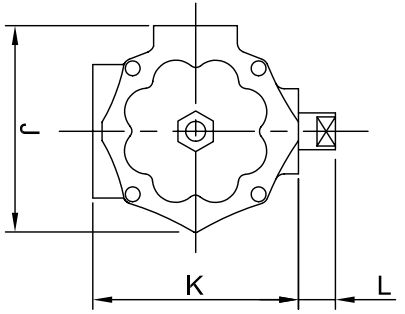
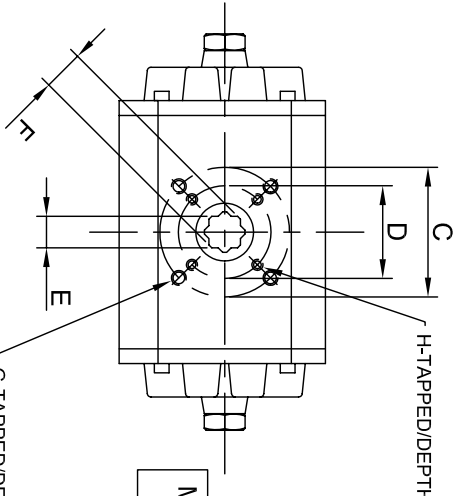


Top Flange acc. to VDI/VDE 3845 (Namur)



Solenoid Flange acc. to VDI/VDE 3845 (Namur)



Mounting Flange & Square Drive to ISO5211

KP	5	12	30	60	140
A	-	-	-	130	130
B	80	80	80	80	80
C	50	70	102	102	125
D	36	50	70	70	-
E	11	17	22	27	36
F	14.2	22.2	28.2	36.2	48.2
G	M6/9	M8/12	M10/15	M10/15	M12/18
H	M5/8	M6/9	M8/12	M8/12	-
I	228	305	363	467	603
J	89	132	167	195	232
K	91	131	169	200	242
L	20	20	20	30	30
M	16	20	25	31	41
N	16	33	45	47	55
O	-	16	21	30	40

DIMENSION CHART

KP-5 - 140 / 180°