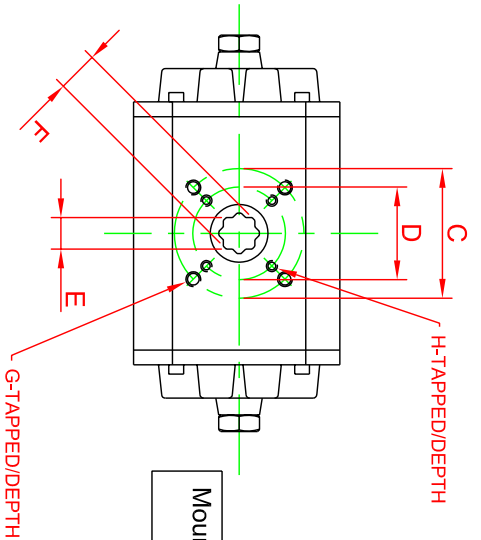
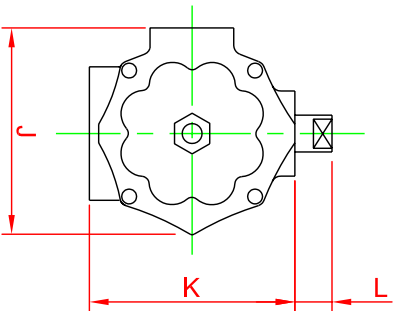
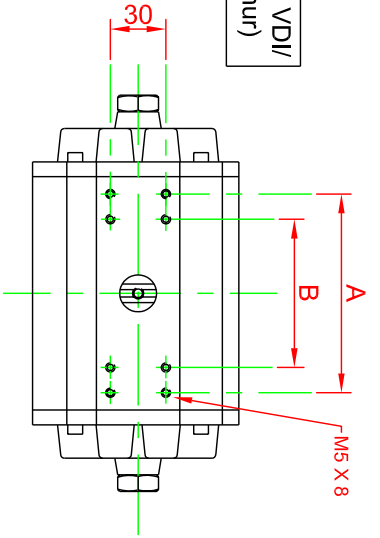
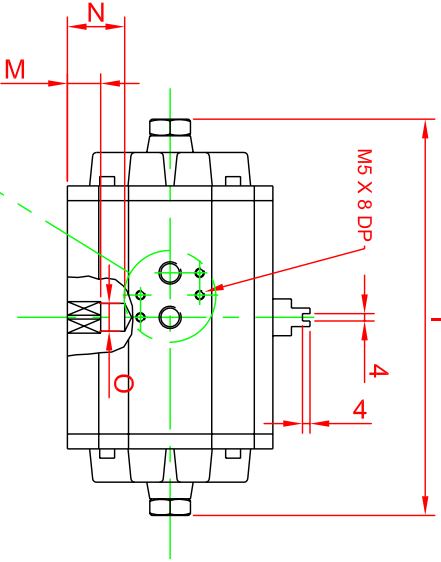
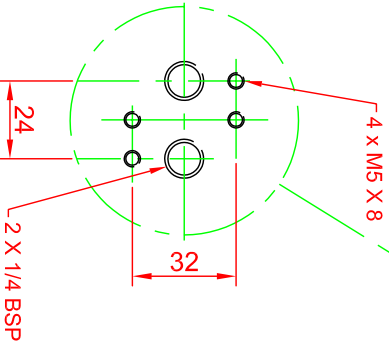


Solenoid Flange acc. to VDI/VDE 3845 (Namur)

Top Flange acc. to VDI/VDE 3845 (Namur)



Mounting Flange & Square Drive to ISO5211

KP/ KPM	5	8	12	20	30	40	60	100	140	200	250	370	500
A	-	-	-	-	-	130	130	130	130	130	130	130	130
B	80	80	80	80	80	80	80	80	80	80	80	80	80
C	50	70	70	70	102	102	102	125	125	140	140	165	165
D	36	50	50	-	70	70	70	102	102	-	-	-	-
E	11	17	17	22	22	27	27	36	36	46	36	46	55
F	14.2	22.2	22.2	28.2	28.2	36.2	36.2	48.2	48.2	60.2	48.2	60.2	72.2
G	M6/9	M8/12	M8/12	M8/12	M10/15	M10/15	M10/15	M12/18	M12/18	M16/24	M16/24	M20/30	M20/30
H	M5/8	M6/9	M6/9	-	M8/12	M8/12	M8/12	M10/15	M10/15	-	-	-	-
I	180	214	239	285	277	340	374	425	445	537	460	670	794
J	89	112	133	133	169	169	195	210	232	232	305	305	406
K	91	111	131	131	169	169	200	216	242	242	310	310	420
L	20	20	20	20	20	30	30	30	30	30	30	30	30
M	16	18	20	20	25	31	31	38	41	53	51	66	79
N	16	31	33	45	45	45	47	55	55	80	55	66	127
O	-	15	16	22	21	30	30	40	40	40	40	-	60